

Sales material  
User distribution available

# Technical Information for 3D Vision Sensor 3DV/400

April, 2018  
FANUC CORPORATION

**Export Control:**

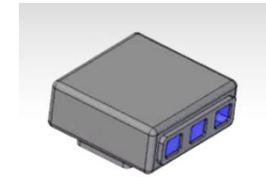
- Controlled (Related item No. of Foreign Exchange Order Attachment List of Japan: )
- Non-controlled for item No. 2 to 15 of Foreign Exchange Order Attachment List of Japan

Sales material  
User distribution available

# 3D Vision Sensor 3DV/400

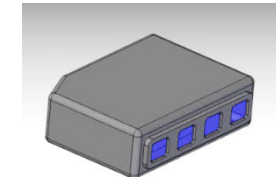
- Robot-mountable (Fixed-mount is also available)
- Quick acquisition
- Support snap-in-motion.
- The same single cable as 2D camera
- Applicable to various applications

Without LED light  
A05B-1426-K101

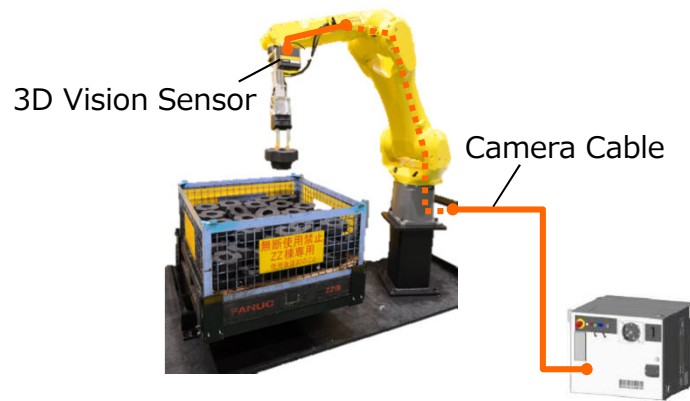


120×116×51mm 0.9kg

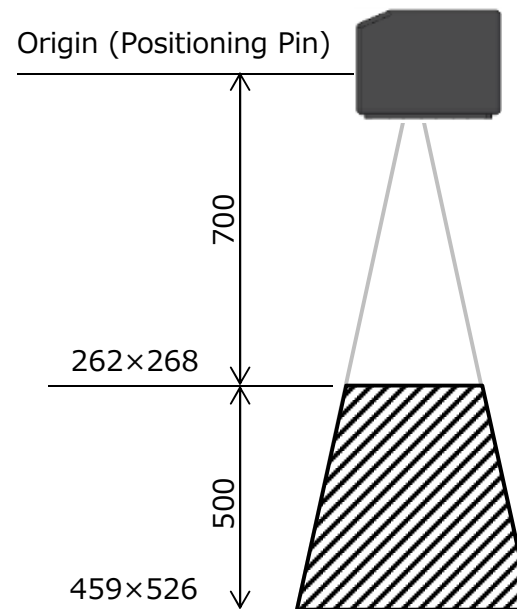
With LED light  
A05B-1426-K102



154×116×51mm 1.1kg



Acquisition Time	100ms + Exposure Time
Resolution	950×1104 pixel
Depth Accuracy	More than ±0.5mm (#)
IP Protection	IP67 equivalent
Working Temperature	0~45°C
Life Time	Equal to robot



Better capability for shiny workpieces

Better capability for glare

3D data is acquired from the non glare surface.

# Depth accuracy depends on workpiece and command tools.

Sales material  
User distribution available

# Application Examples

3D Vision Sensor is applicable to various applications.

**3D Applications**

**3D position compensation from pallet**

**Assembly**

**Kitting system for supplying workpieces to an assembly line**

**Logistics**

**Tote picking**

**Depalletizing from multiple pallets**

**Bin Picking**

**Simple bin picking system with a single 3D Vision Sensor**

Bin Picking → 3D Position Compensation

**2D Applications**

**Finding workpieces not clearly seen.**

Camera	3D Vision Sensor

Low contrast in 2D image  
Noisy background in 2D image

**Presence/Absence Check**

**Presence/Absence check using depth information**

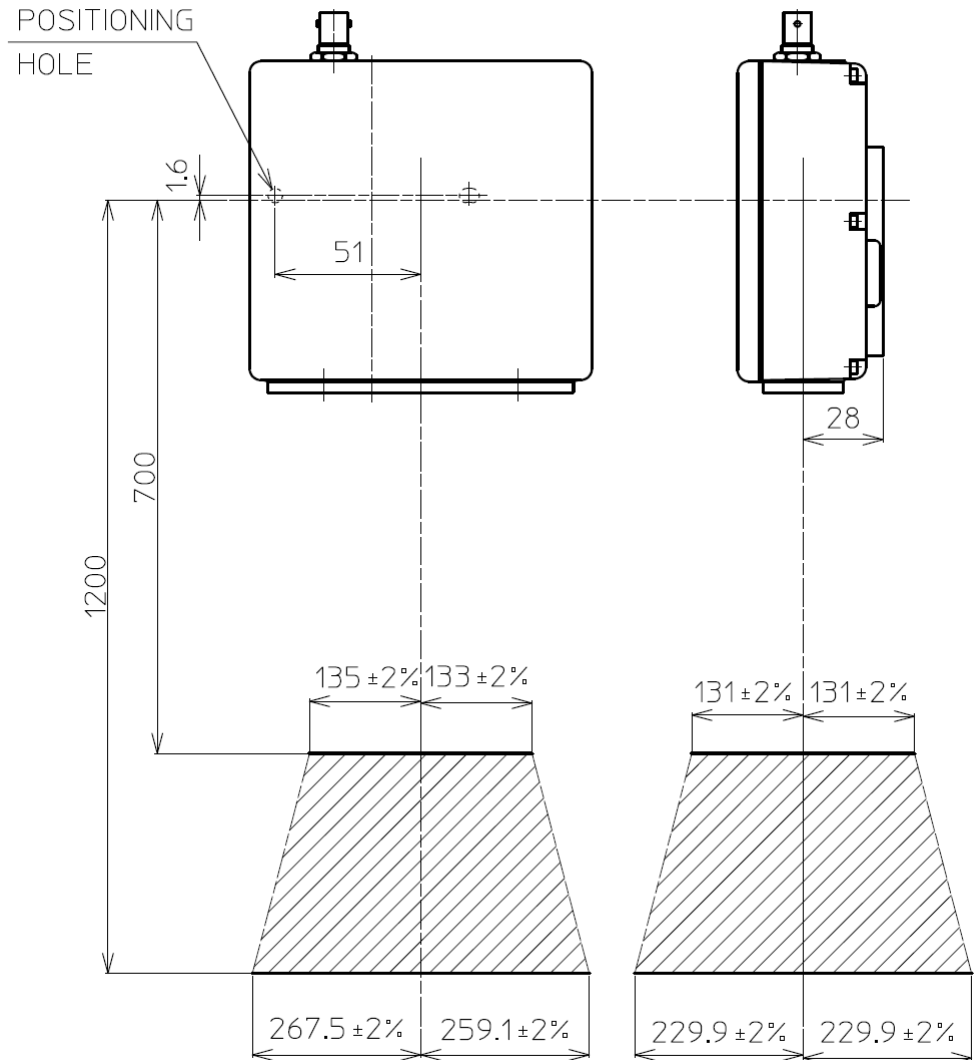
Camera	3D Vision Sensor

Nut is not seen in 2D image

Sales material  
User distribution available

# Measurement Area

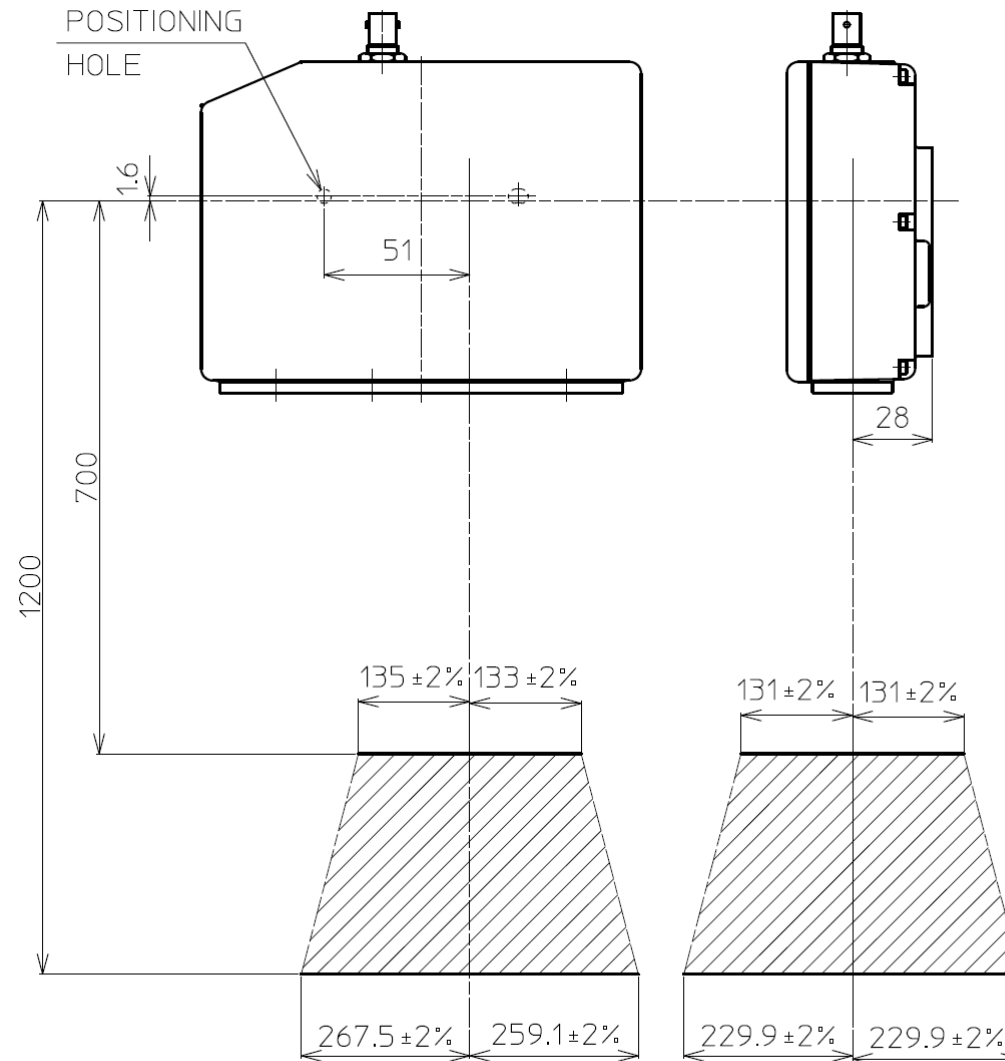
3DV/400 without LED light



Sales material  
User distribution available

# Measurement Area

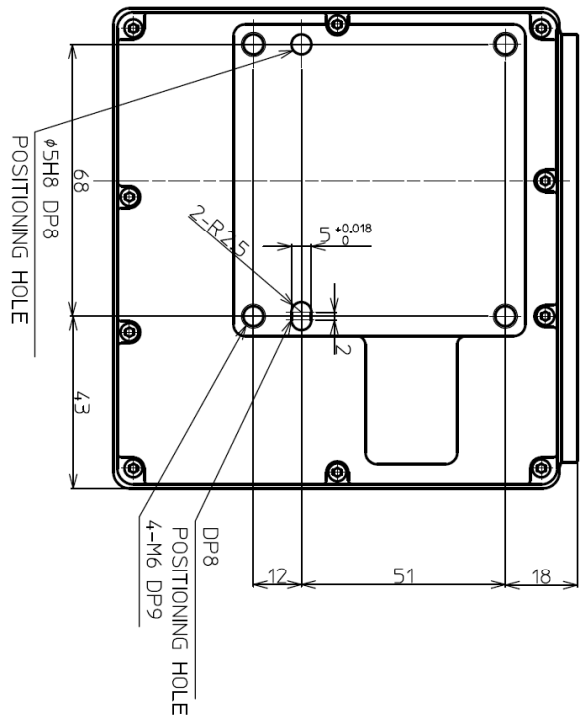
3DV/400 with LED light



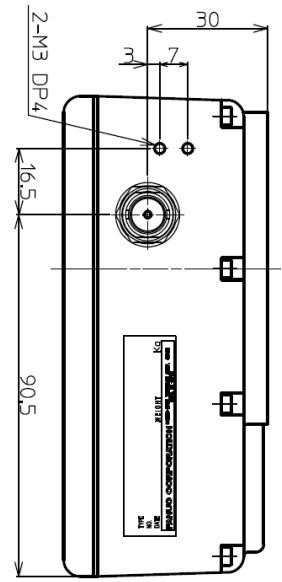
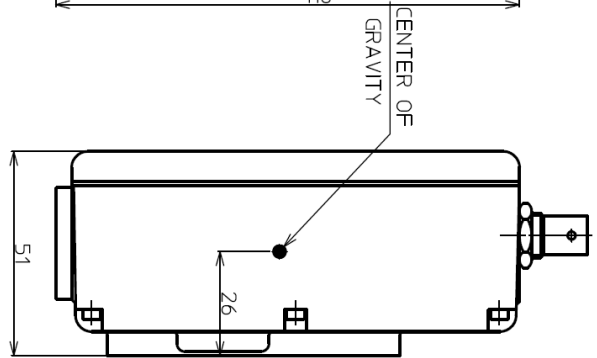
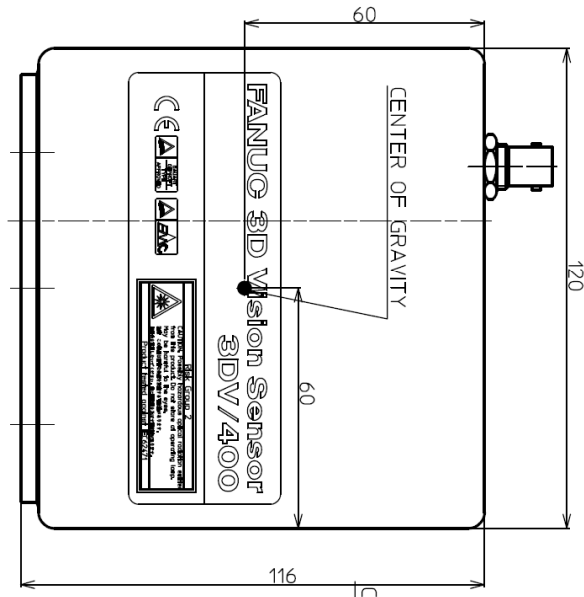
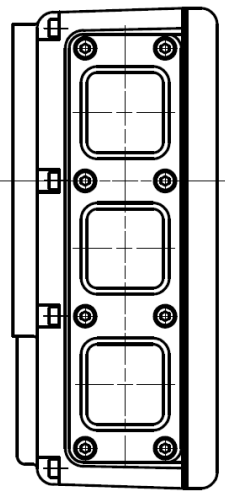
Sales material  
User distribution available

# Outer Dimension

3DV/400 without LED light



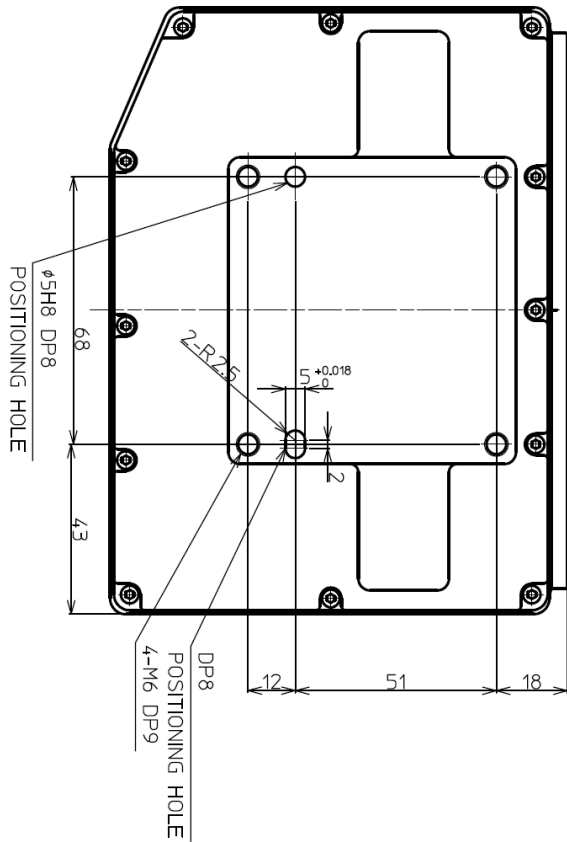
Weight: 0.9kg



Sales material  
User distribution available

# Outer Dimension

3DV/400 with LED light



Weight: 1.1kg

